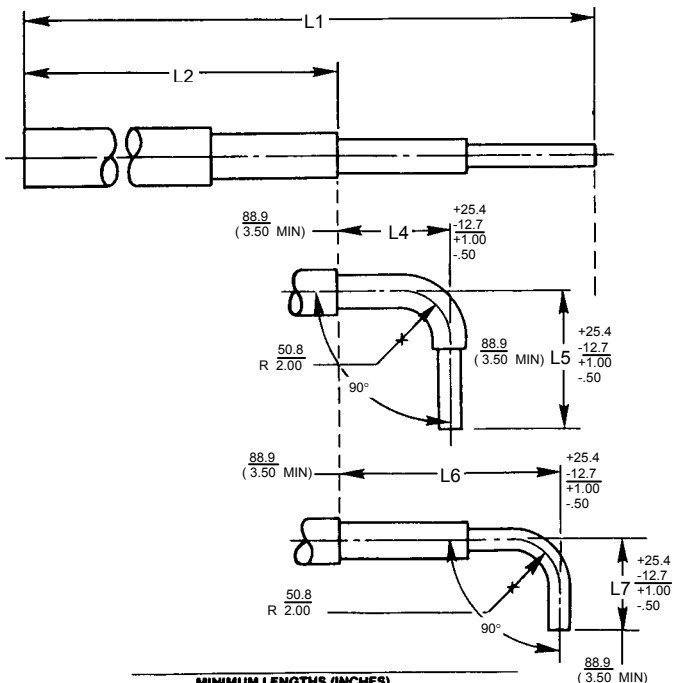
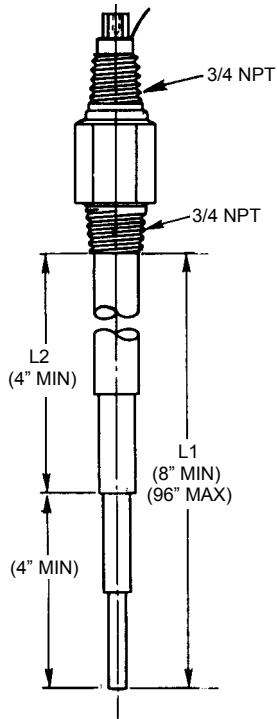


DIMENSIONS

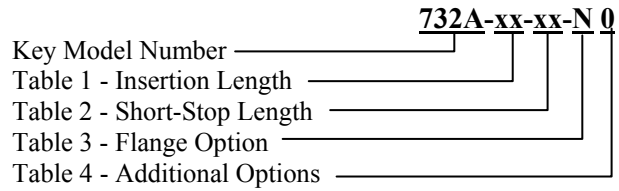


MINIMUM LENGTHS (INCHES)						
L1	L2	L4	L5	L6	L7	Bend Radius
8.00	4.00	3.50	3.50	3.50	3.50	2"

Customer to specify L4 & L5 or L6 & L7. L1 & L2 are specified in Model number.

ORDERING INFORMATION

Specify complete model number according to the tables below.



KEY MODEL NUMBER

Model No.	Description
732A	Special purpose rigid capacitance probe for use with Robertshaw models 318A and 5100 instruments, in difficult ON-OFF applications.

Table 1 - INSERTION LENGTH (L1)

Desig.	Description
xx	Overall insertion length of the probe. The minimum insertion length is 8". The maximum is 96". SPECIFY LENGTH IN INCHES.

Table 2 - SHORT-STOP ELEMENT LENGTH (L2)

Desig.	Description
xx	Length in inches of the Short-stop element. Minimum 4". SPECIFY LENGTH IN INCHES.

NOTE: If the probe is installed in a nozzle, the short-stop element must extend at least four inches out of the nozzle into the vessel.

Table 3 - FLANGE OPTION

Desig.	Description
N	None
A	Flange screwed onto probe gland.
B	Flange welded onto probe gland.

NOTE: Select flange from PL-FL.

Table 4 - ADDITIONAL OPTIONS

Desig.	Description
0	None
1	Bent Probe. See Bend Dimension Table. SPECIFY BEND DIMENSIONS

Robertshaw

U.S.A. and CANADA

Robertshaw Industrial Products Division

1602 Mustang Drive

Maryville, TN 37801

Phone: (865) 981-3100 Fax: (865) 981-3168

<http://www.robertshawindustrial.com>

Exports

Invensys Appliance Controls

2809 Emerywood Parkway

P.O. Box 26544

Richmond, Virginia 23261-6544

Phone: (804) 756-6500 Fax: (804) 756-6561